



28 preset price keys



Three high-legible VFD display

AP-1 SERIES

Price Computing Scale

AP-1(EC) Series is easy to use in a variety of retail applications. Fully equipped with a stainless steel platter, pole display with front and rear VFD displays. AP-1(EC) has 28 preset pricing keys.

- Trade approved (NMI No. 6/4D/260A)
- RS-232C Interface
- 1/3,000 Single interval resolution
- Stainless steel platter



AP-1 SERIES | Price Computing Scale

SPECIFICATIONS

Model	AP-1 Series	
Max. Capacity (kg)	15	30
Readability (g)	5	10
External Resolution	1/3,000	
Display Digit	7/5/6 (total price/ weight/unit price)	
Display Type	VFD	
Operating Temp.	-10°C ~ 40°C	
Power	AC 100 ~ 220V, 50/60Hz	
Platter Size (mm)	340(W) x 215(D)	
Dimensions (mm)	435(W) x 325(D) x 495(H)	
Product Weight (kg)	6.5	

FEATURES

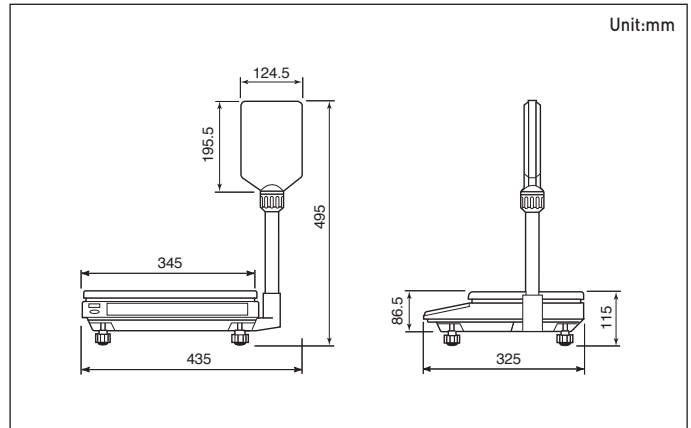
- 28 preset keys
- RS-232C interface
- Highly legible VFD display
- 1/3,000 resolution
- Stainless steel platter
- Auto span adjustment / Auto zero tracking
- Dust protection cover

OPTIONS

- Scoop platter

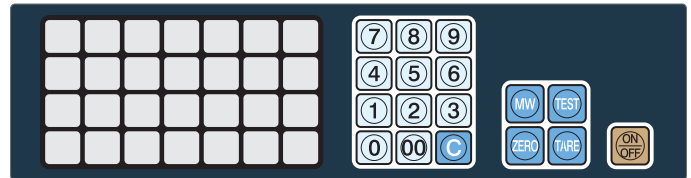


DIMENSIONS



KEYBOARD

- AP-EC



CAS

UNIT 8, NORTHLINK, 459 TUFNELL ROAD
 BANYO QLD 4014, AUSTRALIA
 TEL_ +61 7 3267 7767 FAX_ +61 7 3267 1818
 EMAIL_ sales@casscale.com.au
www.cassscale.com.au

Specifications are subject to change for improvement without prior notice.