

Specifications

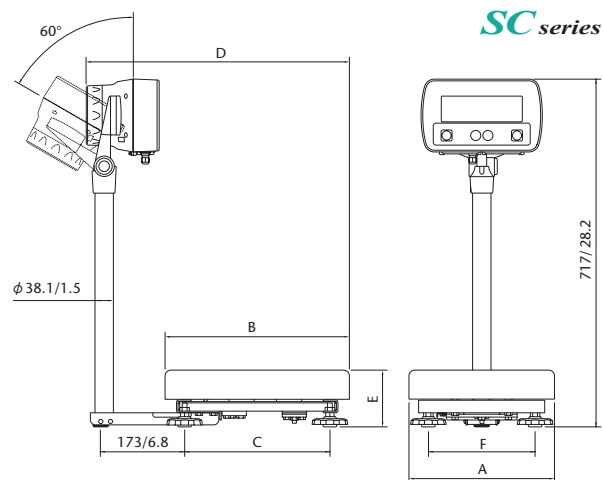
	SC-30KAM SE-30KAM	SC-60KAM SE-60KAM	SC-150KAM SE-150KAM	SC-60KAL SE-60KAL	SC-150KAL SE-150KAL	
kg	Capacity	30	60	150	60	150
	Min. display	0.01	0.02	0.05	0.02	0.05
lb	Capacity	66	130	330	130	330
	Min. display	0.02	0.05	0.1	0.05	0.1
oz	Capacity	1050	2100	5200	2100	5200
	Min. display	0.5	1	2	1	2
		0.2*	0.5*	1*	0.5*	1*
Number of samples	5 pieces (Can be changed to 10, 20, 50 or 100)					
Maximum count	60,000 pcs	60,000 pcs	75,000 pcs	60,000 pcs	75,000 pcs	
Minimum unit weight	0.0005 kg	0.001 kg	0.002 kg	0.001 kg	0.002 kg	
Repeatability (Std. deviation)	0.005 kg	0.01 kg	0.02 kg	0.01 kg	0.02 kg	
Linearity	±0.01 kg	±0.02 kg	±0.05 kg	±0.02 kg	±0.05 kg	
Sensitivity drift	±20 ppm / °C (5 °C to 35 °C / 41 °F to 95 °F)					
Display	7 segment LCD (Character height: 39 mm)					
Display update	10 times per second					
Operating conditions	-10 °C to 40 °C / 14 °F to 104 °F, 85%R.H. or less (no condensation)					
Power supply	Size D (R20P / LR20) batteries x 6					
Battery operation	Approximately 4,500 hours using alkaline batteries					
Weighing pan size	300 x 380 mm / 11.8 x 15.0 in.		390 x 530 mm / 15.4 x 20.9 in.			
Dimensions	SC	300(W) x 543(D) x 717(H) mm		390(W) x 688(D) x 717(H) mm		
		11.8(W) x 21.4(D) x 28.2(H) in.		15.4(W) x 27.1(D) x 28.2(H) in.		
	SE	300(W) x 582(D) x 722(H) mm		390(W) x 732(D) x 722(H) mm		
		11.8(W) x 22.9(D) x 28.4(H) in.		15.4(W) x 28.8(D) x 28.4(H) in.		
Mass (approximate)	12 kg / 26.5 lb		16 kg / 35.3 lb			
Calibration weight (factory setting)	30 kg	60 kg	150 kg	60 kg	150 kg	
	60 lb	120 lb	300 lb	120 lb	300 lb	

* Factory setting

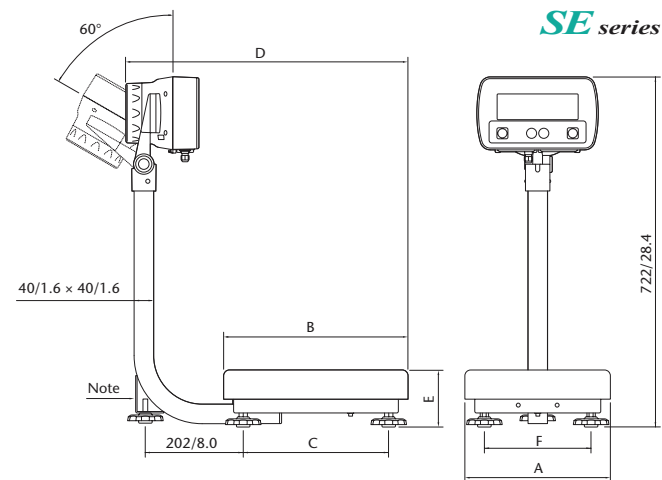
Options SCE-02 Quick USB interface
 SCE-03 RS-232C + comparator relay output

* SCE-02 and SCE-03 cannot be used at the same time.
 * The SC / SE is not IP68 compliant with SCE-02 or SCE-03.

External Dimensions (mm/inches)



Model	A	B	C	D	E	F
SC-30KAM / 60KAM / 150KAM	300/11.8	380/15.0	300/11.8	543/21.4	117/4.6	220/8.7
SC-60KAL / 150KAL	390/15.4	530/20.9	440/17.3	688/27.1	123/4.8	300/11.8



Model	A	B	C	D	E	F
SE-30KAM / 60KAM / 150KAM	300/11.8	380/15.0	300/11.8	582/22.9	118/4.7	220/8.7
SE-60KAL / 150KAL	390/15.4	530/20.9	440/17.3	732/28.8	128/5.0	300/11.8

Note) The pole support foot is for the SE-30KAM/60KAM/150KAM only.

Washdown Scales

SC/SE Series



AND
A&D Australasia

ACN 007 556 809

Head Office
32 Dew Street
THEBARTON South Australia 5031
Telephone (08) 8301 8100
Facsimile (08) 8352 7409

Victorian Office
39 Bakehouse Road
KENSINGTON Victoria 3031
Telephone (03) 9372 1522
Facsimile (03) 9372 1193

Email: salesinquiry@andaustralasia.com.au
Internet page: <http://www.andaustralasia.com.au>

New South Wales Office
Unit 4, 14 Abbott Road
SEVEN HILLS New South Wales 2147
Telephone (02) 9674 5466
Facsimile (02) 9674 2544

Your Dealer

AND
A&D Australasia

"Excellence in Measurement"

<http://www.andaustralasia.com.au>

IP68 Washdown – A New Standard of Platform Scales for Harsh Environments

The SC/SE Series, equipped with a completely sealed indicator, achieves a submersible level of watertightness*, while providing high accessibility and excellent weighing performance, including stabilization in just 1 second! * 1 m under water for 24 hours



SE Series High Resistance to Hostile Environments!



Steel frame



SE-30KAM
60KAM
150KAM



SE-60KAL
150KAL

SC Series Premium Resistance to Hostile Environments!



Stainless steel
(SUS304) frame



SC-30KAM
60KAM
150KAM



SC-60KAL
150KAL

Features

- IP68 dust and water-proof (submersible)
- Washdown construction for easy cleaning
- 4500 hours of continuous operation with 6 D batteriesⁱ
- Supersized LCD of 39 mm character height
- Easily switchable, multiple weighing units (kg, lb, oz, and pcs)
- High speed stabilization of 1 second
- Stainless steel weighing pan (SC: SUS304, SE: SUS430)
- Waterproof and corrosion-resistant load cellⁱⁱ
- Quick USB interfaceⁱⁱⁱ and RS-232C + comparator relay output available as options

i) Batteries are not included.

ii) Aluminum anodized and coated with epoxy resin with protective silicon over wiring.

iii) Cables are not included.



Easily removable battery unit



Battery life indicator

