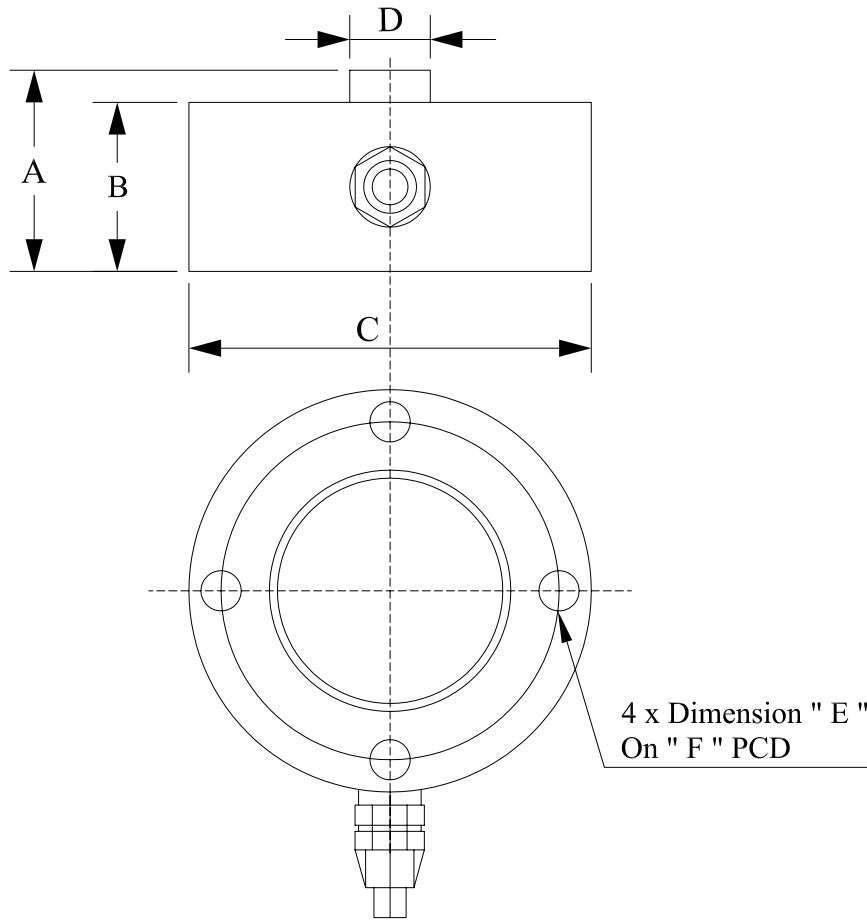


Kelba Miniature Compression Cell (500kg - 20T) KPA MNC



STANDARD CAPACITIES

500 , 1000 , 2000 , 5000 , 10000 , 20000 kg

SPECIFICATIONS

Rated Output	2.00mV/V \pm 10%
Accuracy class	0.03
Non-linearity	0.03 % F.S
Hysteresis	0.03 % F.S
Non-repeatability	0.02 % F.S
Creep in 30 minutes	0.03 % F.S
Temperature effect span	15 PPM / °C of applied Load
Temperature effect zero	26 PPM / °C of applied Load
Compensated temperature range	- 10°C ~ 40 °C
Operating temperature range	- 40°C ~ 65 °C
Zero balance	\pm 1 % F.S
Input resistance	400 \pm 20 Ω
Output resistance	350 \pm 3 Ω
Safe overload	150 % F.S
Ultimate overload	300 % F.S
Excitation voltage	10 VAC/DC
Maximum excitation voltage	15 VAC/DC
Insulation resistance	> 5000M Ω (50 V DC)
Environmental protection	IP67
Material	Tool steel
Cable length	3 Mtr

Wiring Color Code

Excitation + Red	Signal + Green
Excitation - Black	Signal - White

Model	Capacity	A	B	C	D	E	F
KPAMNC 500	500 kg						
KPAMNC 1000	1 T	25	21	50	10	M5 X 0.8 dp7	42
KPAMNC 2000	2 T						
KPAMNC 5000	5T	40	35	98	20	M6 x 1.0 dp8	72
KPAMNC 10000	10 T	45	40	98	20	M6 x 1.0 dp8	72
KPAMNC 20000	20 T	50	45	118	20	M8 x 1.25 dp10	90

Kelba (Australia) Pty Ltd					
Reference		KPA MNC			
Date	07/04/03	Load Cell 500 - 20T			
Drawn	A TRUCKNER				
Approved		Drg. No.	KPA - MNC - 1	Rev.	1
Scale	NTS			Date	05/05/04